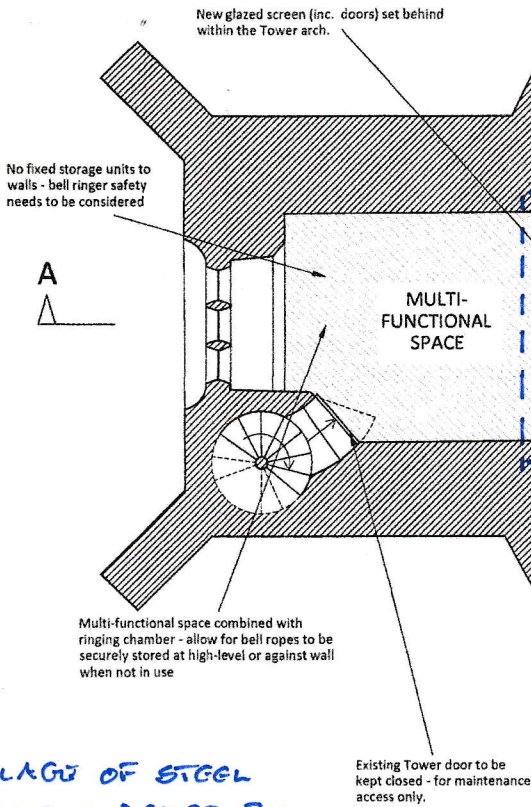


BASEMENT FLOOR PLAN

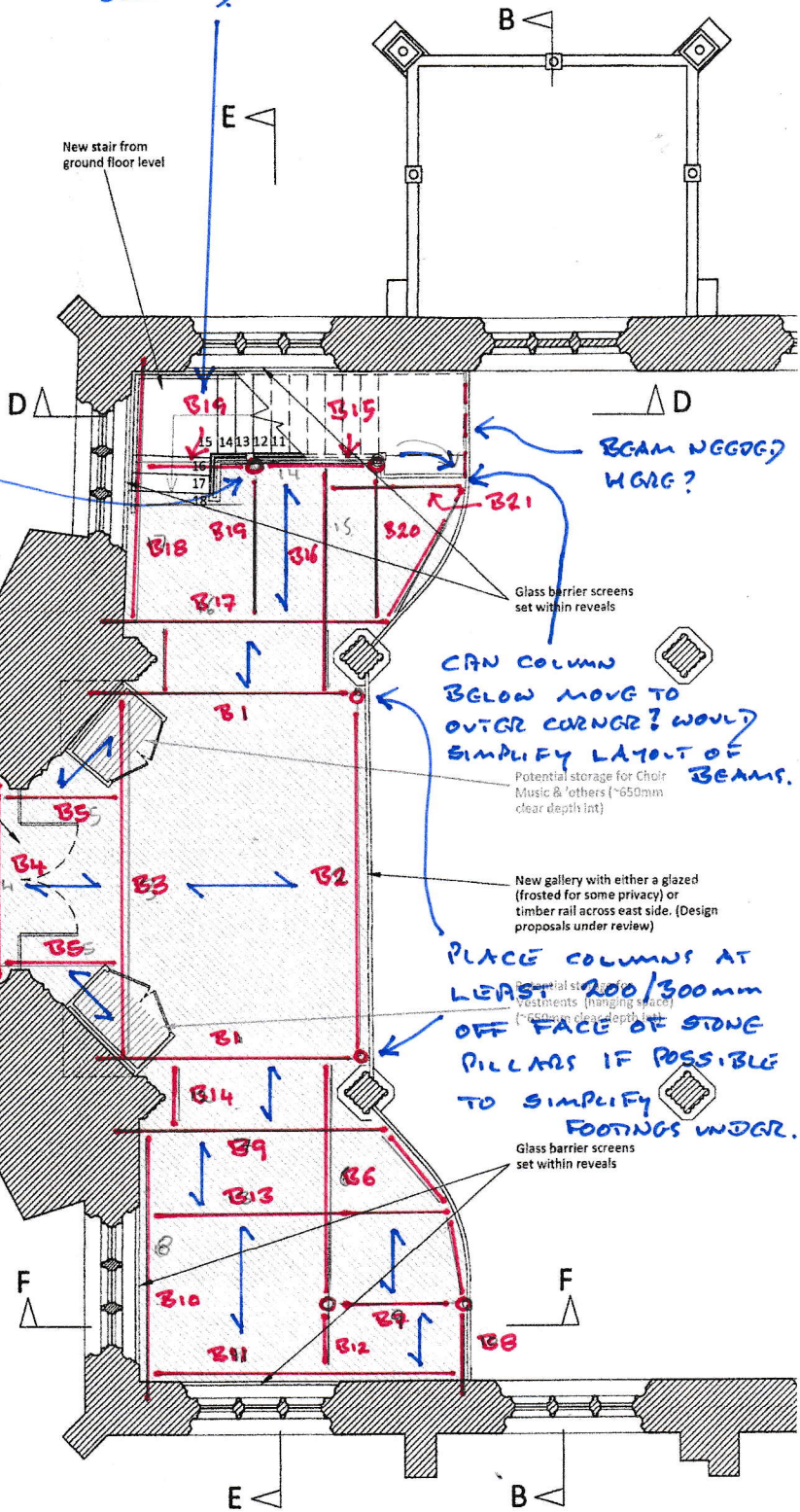
COLUMNS UNDER (GO ON OPTION SHOWN).



FIRST FLOOR PLAN



BEAM B19 TO BE CRANKED UNDER STAIRS.



GRILLAGE OF STEEL BEAMS MARKED BY RED LINES. ALLOW 203mm DGP SECTIONS.

SPAN OF FLOOR JOISTS MARKED BY BLUE ARROWS. ALLOW 47x 225mm DGP AT 400 c/c.

REVISED THOUGHTS ON NEW GALLERY STRUCTURE 16 SEPT '22

ANDREW TURNER ENGINEERING